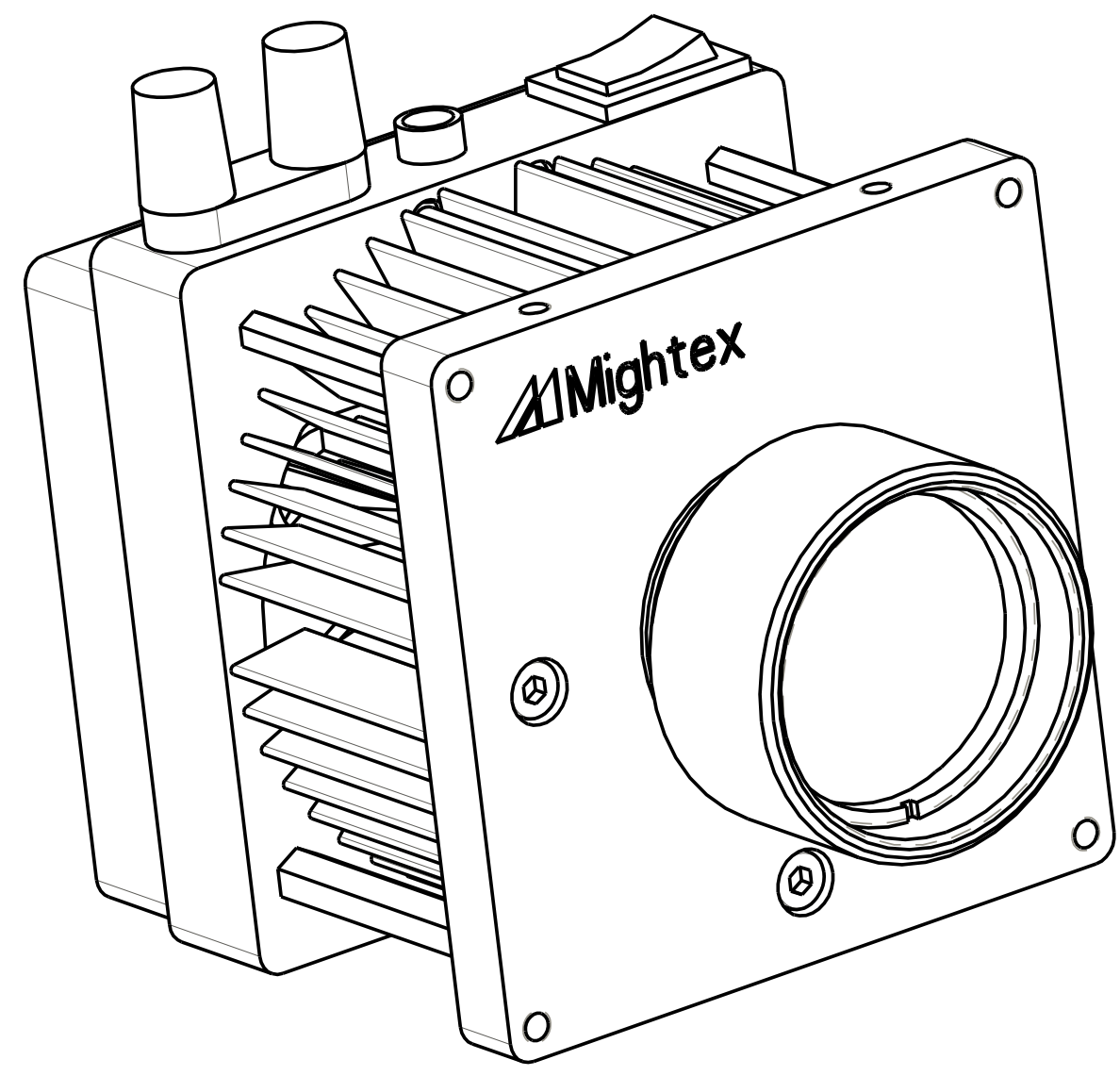
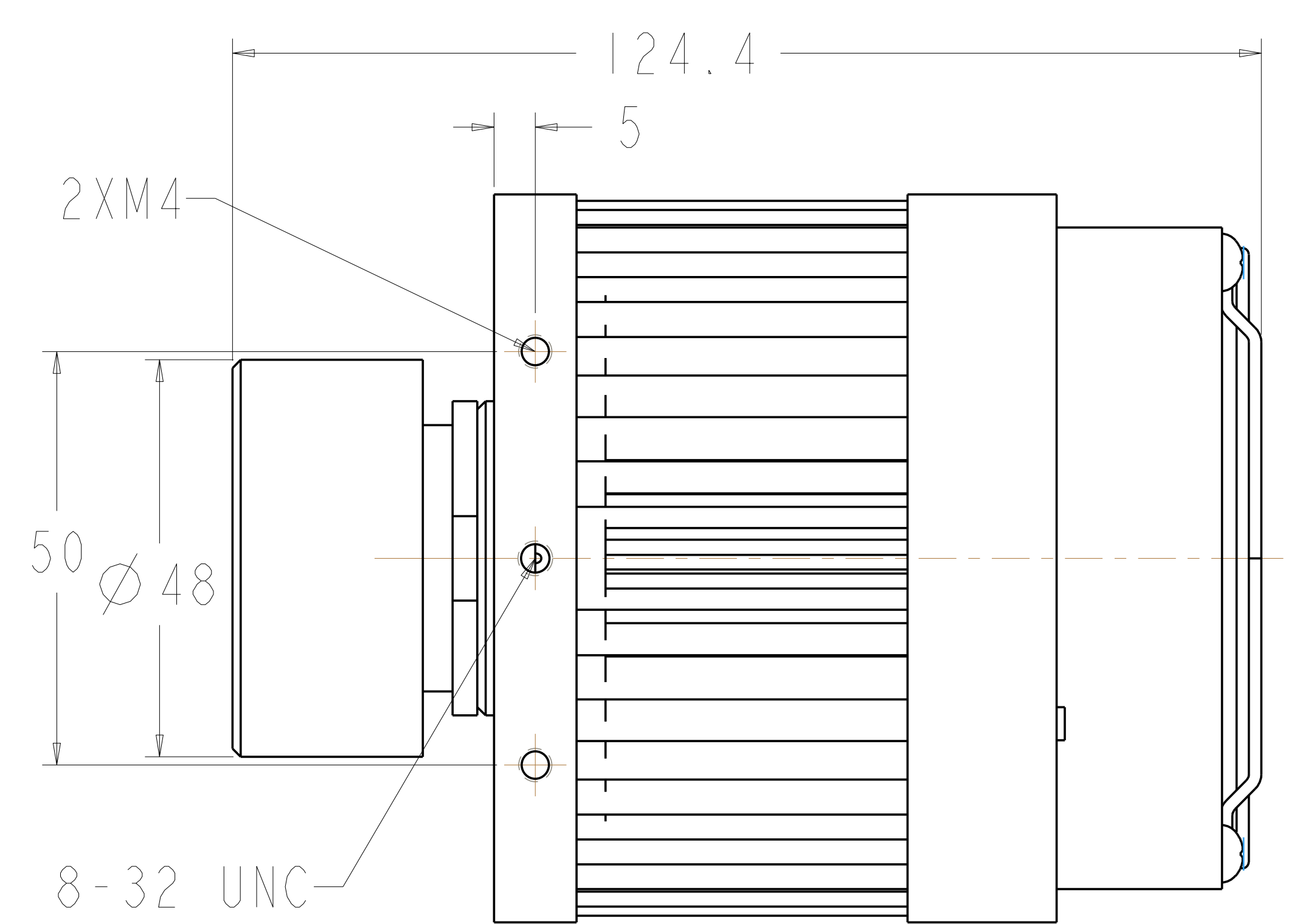
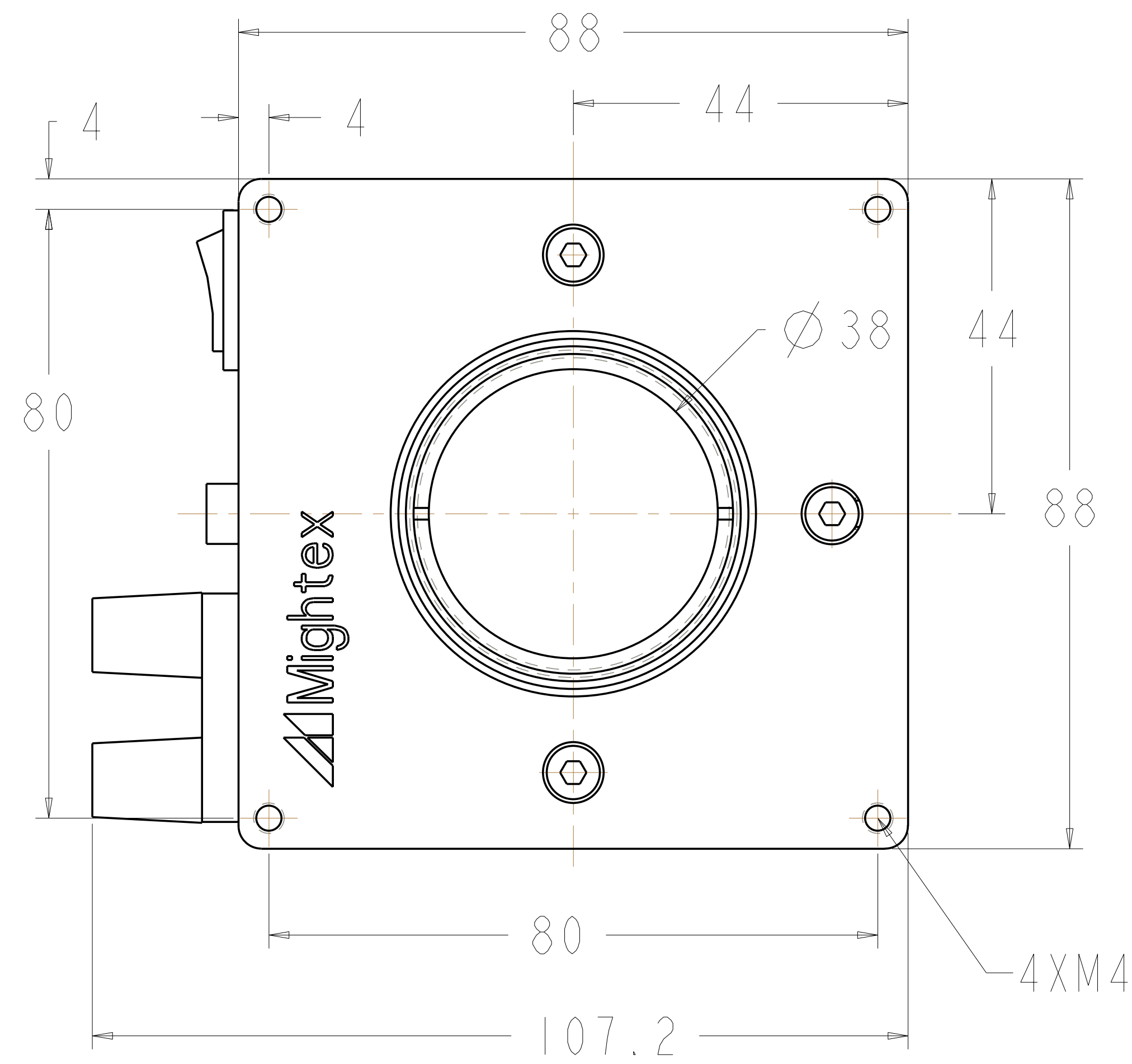
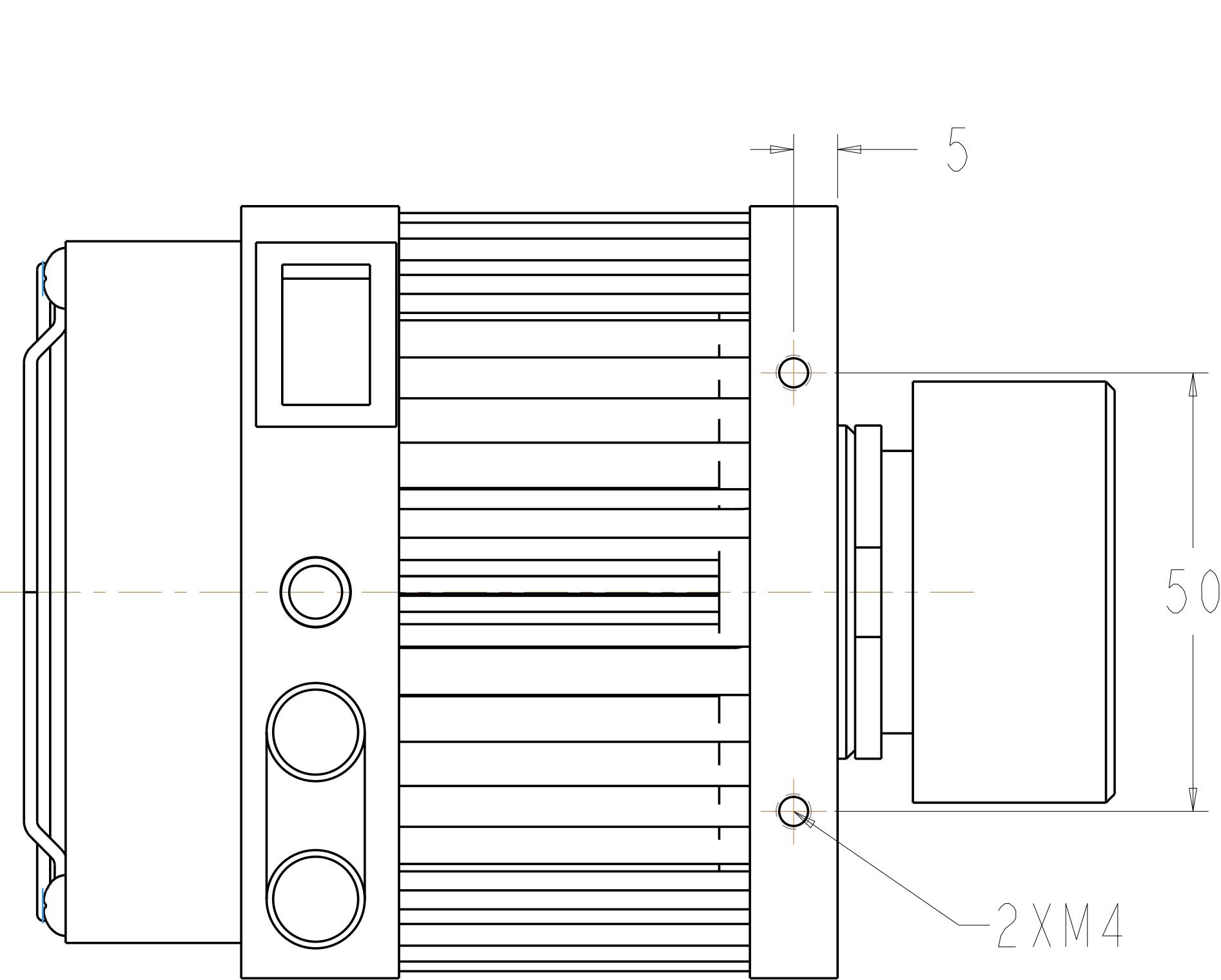


LTR	CO	DATE	CHK



This document and the information and data contained herein are proprietary to and the exclusive property of Mightex Systems. This document and the information and data contained herein may not be used, copied, published or disclosed without the express prior written consent of Mightex Systems.

MATERIAL:	THE INFORMATION AND DATA CONTAINED HEREIN CONFORMS TO ASME Y14.5M-1994	DRAWN:	DATE: 10-Apr-14	Mightex Systems	
ALT MATL:		EDGE/COR BREAK:			
CASE DEPTH:	ALL UNTOLERANCED DIMENSIONS ARE BASIC	RADII INSIDE:			
HARDNESS:	UNLESS OTHERWISE SPECIFIED, ALL DIMENSIONS ARE IN MM	RADII OUTSIDE:			
SURFACE TREATMENT:		UNLESS OTHERWISE SPECIFIED: 6.3 SURFACE FINISH	THIRD ANGLE PROJ	SIZE NO.	176000
		PRO/ENGINEER®		REL NO.	SHEET 1 OF 1